

NQ70 Series 7 Inch Industrial Front IP65 Android Panel PC

NEWAY®



Front Panel IP65 Dust-proof and Waterproof

- 7 inch, 1024x600, 16:9 Aspect Ratio
- A64 Quad-core CPU, Optional RK3288/RK3399
- 2G DDR3 RAM (Up to 4G), 8G ROM (Up to 16G/32G)
- Android 6.0 OS, Optional Android 7.1/9.0/10.0
- Curved Design Front Bezel, Aluminum Alloy Enclosure



Interfaces

WiFi + Bluetooth

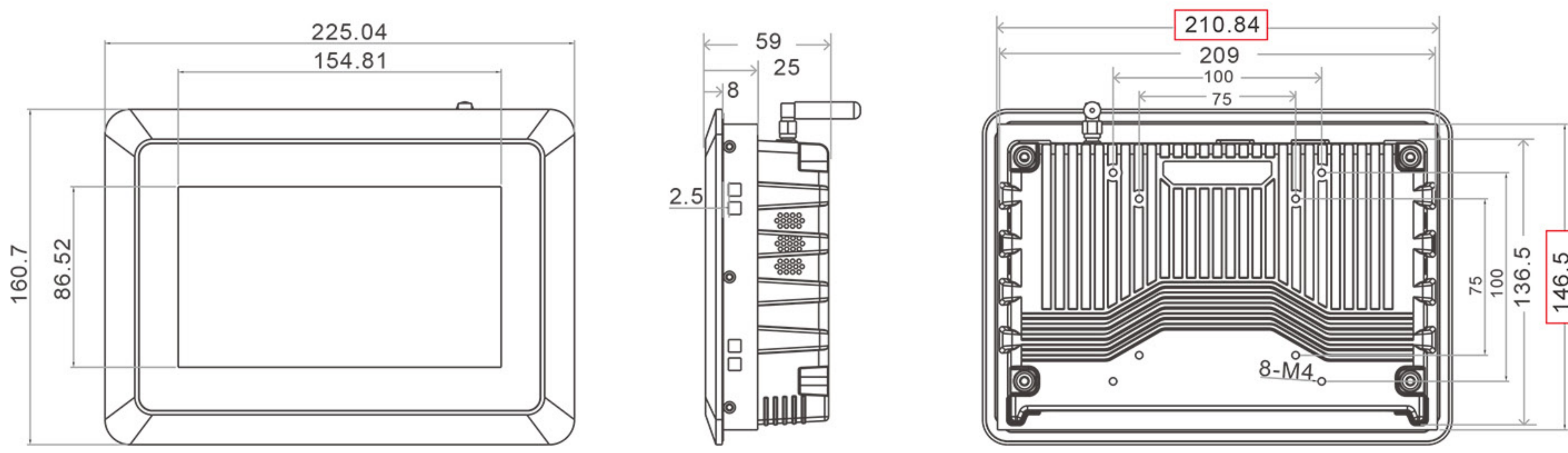


Touch Type

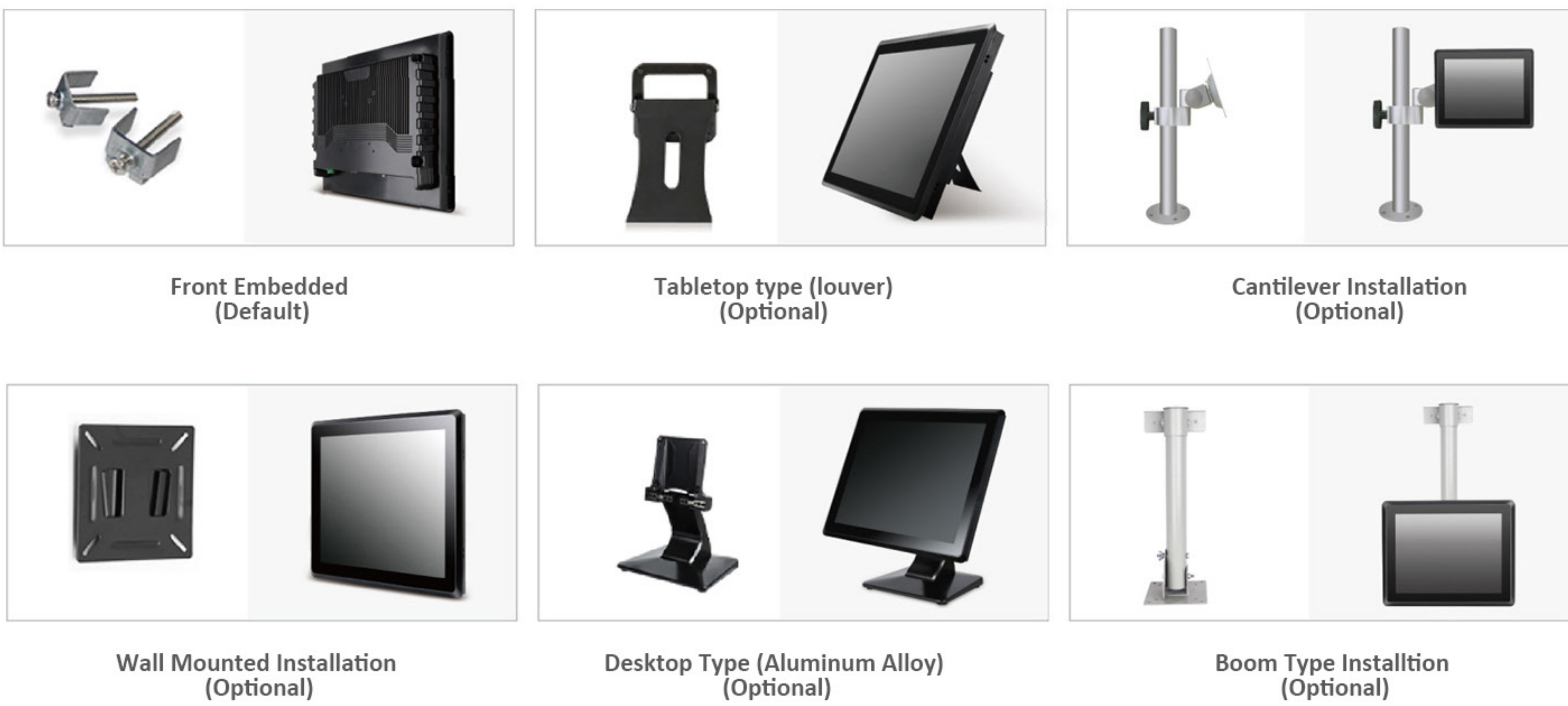
Front Panel IP65 Design, Water and Dust Proof



Dimension



Installation



Specification

Display	Screen Size	7"
	Resolution	1024×600
	View Angle	75/75/70/75 (L/R/U/D)
	Colour	Chroma: 16.7M
	Brightness	300cd/m2 (optional up to 800cd/m2)
	Contrast	500:1
	Response Time	6.5ms
	Display Area	154.214 × 85.92 mm
	Pixel Pitch	0.1506×0.1432 mm (H×V)
	Touch Screen Type	No Touch/ Capacitive Touch
Mother Board	CPU	A64 Cortex-A53 quad core 64 bit , main frequency 1.5GHz; Optional: RK3288/RK3399
	RAM	2G DDR3 (optional up to 4G)
	ROM	8G (optional up to 16G/32G)
	Operating System	Android 6.0, Optional Android 7.1/9.0/10.0
	WiFi	2.4G
	Bluetooth	BT4.0
	RTC	support
	Timer Switch	support
System Upgrade	Support local SD, USB upgrade	
Others	Interface	DC*1/RS232*2/USB2.0*2/TF& SIM card slot /HDMI*1/Micro USB*1/RJ45*1/Audio*1
	Material	Aluminum Alloy Metal
	IP Rating	Front IP65 Water & Dust Proof
	Working Temp	-10 °C to 60 °C
	Storage Temp	-20°C to 70°C
	Humidity	95% Non-Condensing
	Power Consumption	15W
	Voltage Input	DC12V / 4A, AC 100-240V 50/60Hz
Accessories	Power Adapter,Power Cable, Snap screw, User Manual	

NEWAY®

QUANZHOU NEWAY INDUSTRIAL LIMITED

Tel: +86-595-22519926 / Fax: +86-595-22519925

Email: info@neway.me / Web: www.neway.me